

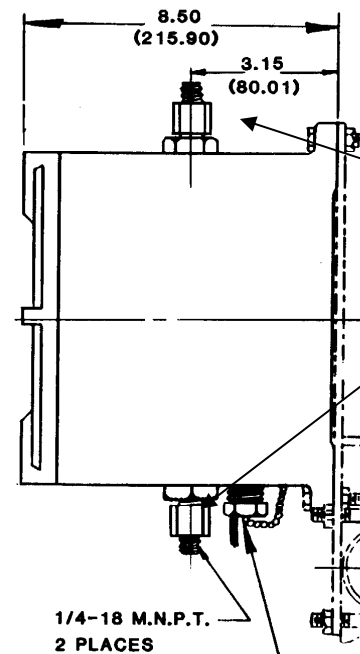
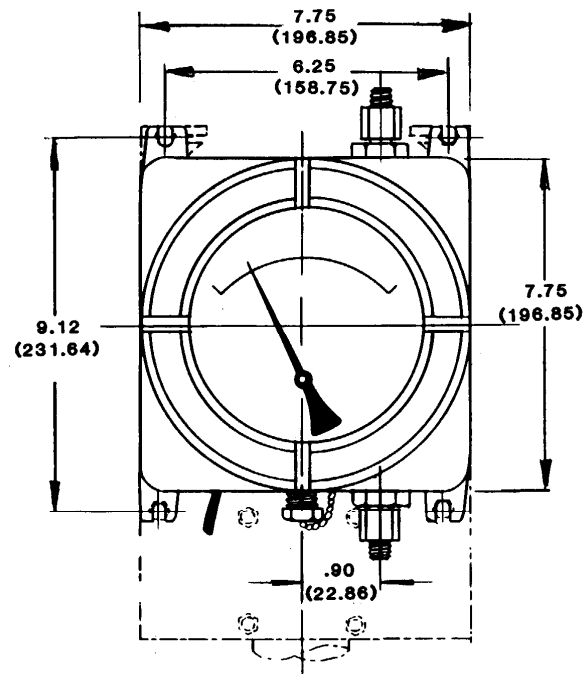
Dimensional Division 1 Electrical Model 130

MODEL 120

Electrical Configuration: N or P
 NEMA 4X ENCLOSURE CLASS I, DIV. 1, GROUPS C & D
 CLASS II, DIV 1, GROUPS E, F, & G
 4 1/2 " DIAL, "0" PORT OPTION
 SINGLE SWITCH OR DOUBLE, STANDARD PORT



4 1/2 Inch
Dial



FLAME ARRESTOR
PORT 1/4" MNPT

NOTE :

1. DRAWINGS SHOW STANDARD GAUGE NOMINAL DIMENSIONS.
2. DIMENSIONS SHOWN IN PARENTHESES ARE IN MILLIMETERS.