

## Electrical Installation and Operating Instructions - Model 140

### 1.0 Safety

*Before installing, check the Model Number and verify compatibility to the process media and temperature in contact with the wetted parts. Incompatible media and / or operation at temperature extremes can cause premature degradation of materials which could result in safety risk to personnel.*

*Verify the selected pressure range (differential pressure and working pressure) and the switch ratings are within specification for your application.*



**Warning!** *Perform all electrical adjustments with power removed.*

*The Model 140 product utilizes a diaphragm design which isolates the high process from the low process. For over pressure conditions (High over Low and Low over High) the diaphragm is supported at the end of travel for the rated working pressure of the gauge. However, it is recommended that if large pressure spikes exist, some sort of pressure limiting device should be installed for protection.*



**Warning!** *Remaining media may result in a risk to personnel, environment etc. Use sufficient precautionary measures when removing and transporting the product.*



**Warning!** *If installing product within another enclosure that is pressure tight, please verify all process connection are leak tight. Leakage within a pressure tight (ie NEMA 4X) enclosure could cause a pressure buildup within the enclosure and cause a burst scenario.*

### 1.1 Intended use

The indicating / non-indicating differential pressure switches or transmitter are used for monitoring differential pressures in industrial applications.

The manufacturer shall not be liable for any claims if the product is used in applications contrary to the intended use.

### 1.2 Personnel

Personnel installing and putting this instrumentation into service shall be suitably trained and qualified in accordance with local codes, practices and regulations.

### 1.3 Labeling / Marking



The following Electrical Configurations bear this mark and comply with the relevant European Directives identified on the declaration of conformity: A, B, E, F, T, W



The following electrical configurations bear 1 or both of these third party listing agency marks for product evaluated to both US and Canadian Standards: E, F, W

## 2.0 General Specifications

### Non-electrical

Parameter	Limits(Std)	Limits (Hazardous Locations)
<b>Working Pressure(PSI)</b>	3000 (AL)* Non Haz-Loc 1500 (Br) Non Haz-Loc 3000 (SS)* Non Haz-Loc	1500 (Br Non End) 3000(Al/SS Non End) 2000 (AL/SS End Conn.) 1625 (Al/SS Nace)
<b>Proof Pressure</b>	4X Rated Working Pressure	
<b>Temperature</b>	-40° to 200° F (Switches) -20° F to 150° F (Transmitter)	
<b>Differential Pressure Range (PSID)</b>	0-50" H2O to 0 to 100 PSID	
<b>Indicator Accuracy ASME B40.100</b>	2%	
<b>DP Over-Range</b>	+/- Proof pressure	

### Electrical

Parameter	Switch Specification	
	SPST (NO)	SPDT
Option:	B	A
*Power	25 W	3 W
Max. Current	0.5 Amps	0.25 Amps
Max. Voltage VAC/VDC	240	125
**Setting ( %F.S.)	15 to 95	15 to 95
Hysteresis (Max/Nom)	15% / 8% (F.S.)	10% / 5% (F.S.)
Repeatability	1% F.S.	1% F.S.

\* Product of the switching voltage and current shall not exceed the power rating of the device.

\*\* Except where otherwise noted

# Electrical Installation and Operating Instructions - Model 140

## Transmitter

Transmitter Specifications: (Calibrated on Increasing pressure)				Comments:
Operating Temperature (Max.)	-20° F - 150° F			
<b>ELECTRICAL:</b>				
	<b>Min</b>	<b>Typ</b>	<b>Max</b>	
Transmitter Accuracy (FSR)			2%	Upper 80% of Full Scale Range
Supply Voltage (3) (Vdc)	8		28	Pin 3 Reverse Polarity Protected
Output Current (ma)				
Zero Floating (2)	4.0 – 20.1 ma	4.0 – 21.0	4.0 – 22.0	Pin 2
Zeroed (1 connected to 2)		8		
Voltage (Pin 2 to 1)	4.8		6.3	
Zero Time (seconds)	2			
Max Loop Resistance (ohms)			1000	
Max Loop Resistance Formula	$((V_s - 8) * 1000) / 20$			
<b>INTERFACE:</b>				
<b>Electrical:</b>				
Connections:	4 Position Terminal Strip; ½" NPT Conduit 1= Rtn, 2= Zero, 3 = 8-28 Vdc In 4= Chassis			22 Awg – 16Awg Wire
Environmental Rating:	NEMA 4X			
Certifications:	CSA (Canadian & US Standards; Division 2 Locations)			

### 3.0 Product Description:

#### Switch



A flexible elastomer diaphragm and calibrated range spring are moved by differential pressure. A magnet, coupled with the diaphragm, transmit this motion through the wall of the pressure housing to a follower magnet attached to an indicating pointer. The rotation of the follower magnet causes the pointer to track the movement of the internal magnet and indicate the differential pressure on the dial scale. The switches are also magnetically operated and are located outside of the pressure housing. The switches are mechanically adjustable allowing the customer to set the switch within a defined adjustment span of the range of the instrument.

#### Transmitter

The Model 140 indicating / non-indicating differential pressure transmitter is a 2 wire loop powered microprocessor based 4-20 ma transmitter. The magnetic angle sensor & electronics senses the angle (relative to the transmitter sensor) of the magnet which moves linearly in the bore. Each transmitter is individually calibrated to the gauge using an 11 point calibration linearization technique. This method results in a <2% full scale accuracy for the upper 80% of the range.

## 4.0 Installation:

### Mechanical Connections

¼" FNPT are provided standard, however check your paperwork to confirm the connections ordered. There are 2 connections identified on the gauge body as "Hi" and "Lo" for High pressure and Low pressure respectively. Be sure these are plumbed properly in your system. Improper connection will not damage the instrument, but it will not function properly.



**Do not allow gauge fittings to rotate when making process connections. Calibration and / or pressure rating of the product may be compromised.**

For end connected or gauges supplied with adapter fittings use two wrenches when making connections. Use one wrench to hold the pressure port fitting on the gauge and the other to tighten the process pipe of tube fitting.

### Instrument Location:

On liquid service the instrument should be mounted below the process connections to facilitate self-bleeding. On gas service it should be located above the process connections to promote self-draining. If the process contains particulates, a pigtail loop or drop leg (manometer "U-tube" configuration) in the tubing will minimize the possibility of it migrating into the instrument.

### Temperature Limitations:

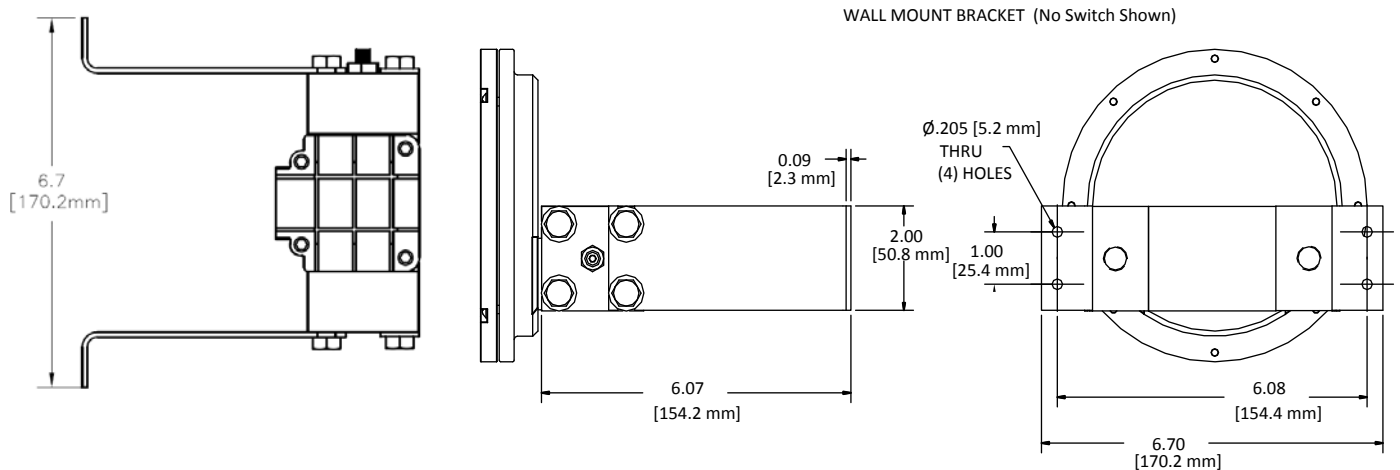
For process temperatures higher than the rated temperature of the dp gauge / switch, use process tubing to reduce the temperature. A general "rule of thumb" is that for horizontal tubing runs the temp drop is 100° F/ ft. Another option is to use "cooling towers" to protect the instrument.

Verify the selected elastomer option is appropriate for your operating temperature.

### Wall / Pipe/ Panel Mounting:

Not all combination of options can be wall, pipe, or panel mounted. If your unit is supplied with a wall or panel mount possible configurations are shown below:

#### Wall Mount Configurations:

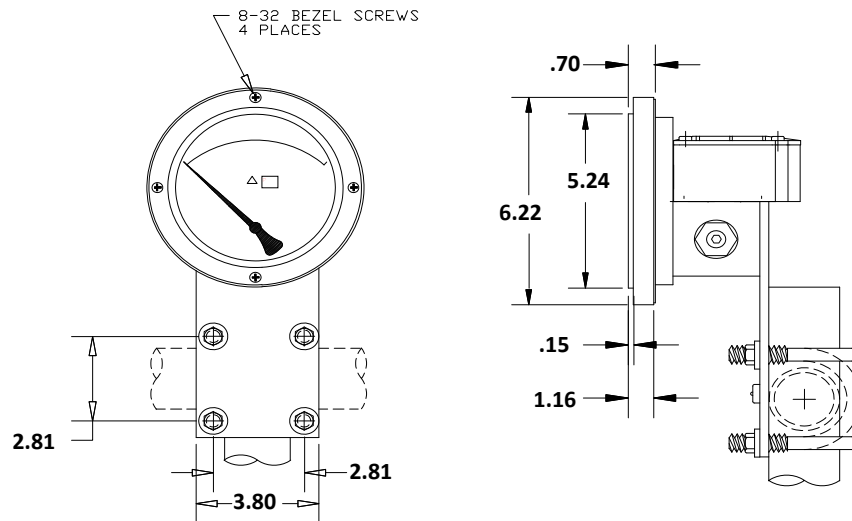


# Electrical Installation and Operating Instructions - Model 140

## Pipe Mounting

Pipe mounting brackets are not available for any Electrical Configurations in the reverse port configuration.

### Typical 2" Pipe Mounting



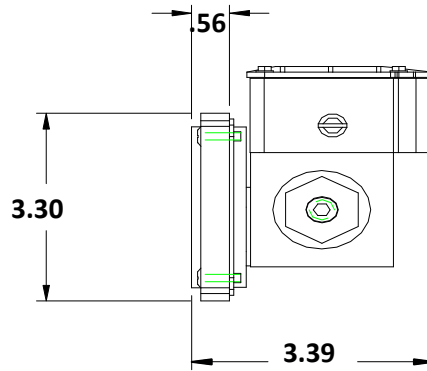
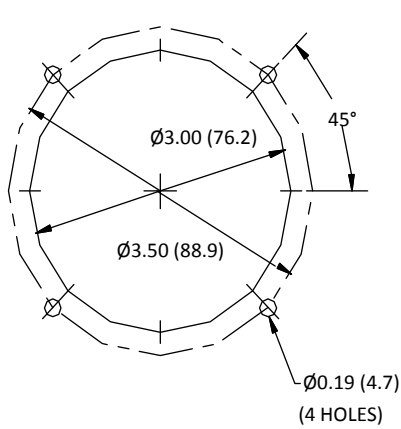
## Panel Mount

Gauges with 2 ½" dials can only be mounted through the rear of the panel. Make the proper panel cutout as shown below. Remove the (4) bezel screws and insert the gauge front through the rear of the panel. Reinstall the bezel screws through the front of the panel and into the gauge bezel. Tighten screws securely in an alternating diagonal pattern.

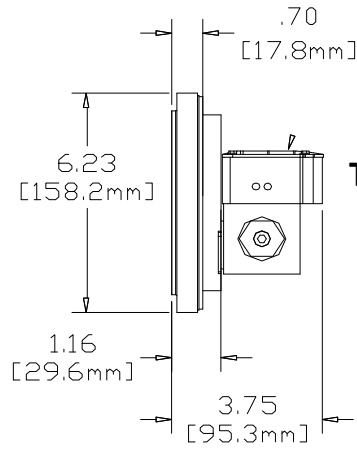
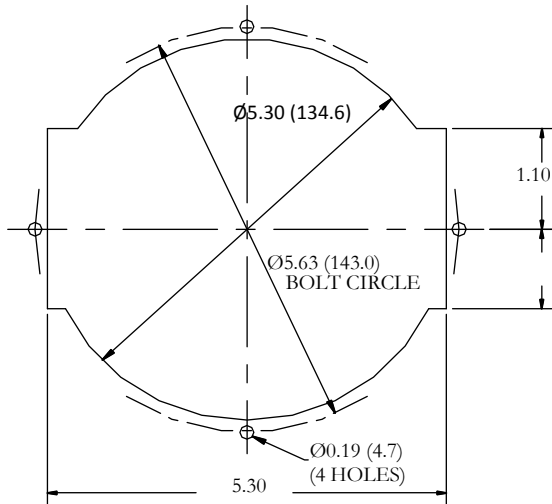
Gauges with 3 ½" dials should be mounted from the front of the panel. Contact the factory for mounting and dimensional information.

Gauges with 4 ½" dials should be mounted from the front of the panel. Make the cutout as indicated below. Insert the (4) panel studs, finger tight, into the metal inserts located in the rear of the bezel. Insert the gauge through the panel, aligning the panel mounting studs with the holes in the panel. Install the (4) 8-32 nuts onto the studs and tighten securely.

# Electrical Installation and Operating Instructions - Model 140

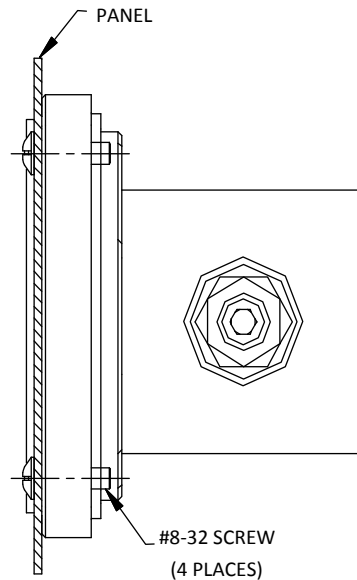
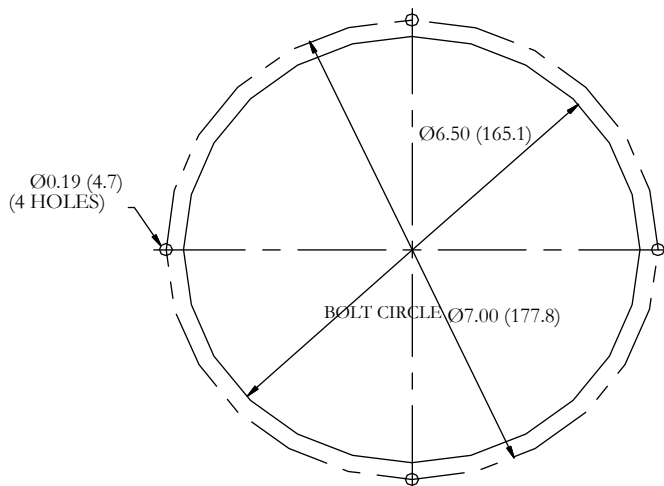


Typical 2 1/2" Panel Mount



Typical 4 1/2" Panel Mount

MODEL 140  
6 in. DIAL PANEL CUT-OUT



## 5.0 Electrical:



**Warning:** *Electrical connections should be performed by qualified personnel and meet the representative country's national electrical code.*

**Warning:** *Failure to connect to the protective conductor terminal may result in a shock hazard.*

**Warning:** *Perform all switch adjustments with power removed. Use an ohmmeter or equivalent to monitor contact operation.*

**Caution:** *Preference should be given to setting the switch prior to installation. It is also recommended to perform adjustments using a non-magnetic Philips screwdriver.*

### General

All switch types are field adjustable. The defined range of the adjustment is specified in the table above. All switches come with a decal to identify adjustment direction to increase the set point.

#### Switch Set Point Adjustment



**Caution:** *Do not confuse the switch adjust access as the switch adjust screw.*

**Note:** *Switches can be set below the defined minimum set point however, the switch may not remain activated at maximum PSID. If the unit is set below the defined minimum set point, the customer should verify that the switch remains activated from the set point to over range of the gauge.*

The switch may be set using the indicating dial as a reference (units with a dial) or by using a reference pressure gauge.

For setting on increasing pressure increase your pressure to the desired set point. Increase the switch set point above the desired switch set (switch deactivated). Slowly decrease the switch set point until the contact activates.

Switch Adjust Access



#### Contact Protection:

Provide standard protection techniques for the switch contacts for capacitive and inductive loads. Use current limiting techniques near the switch to protect the contacts due to high inrush (i.e.; in line resistor or inductor) for long cable interfaces. Provide clamping devices at or near inductive loads (i.e.; relay).



**Maximum wire length between the 3W switch and its load should not exceed 70 – 100 Feet for 120 VAC applications. We recommend that you use the SPST switch or use a current limiting resistor wired in series and located near the switch. Contact the factory for assistance regarding this condition. (For hazardous Locations the resistor option is not allowed)**

#### Connections:



**Warning:** *When wiring to the terminal strip, make sure all wire strands are contained within the terminal connection.*

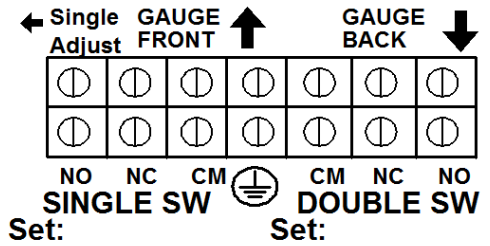
# Electrical Installation and Operating Instructions - Model 140

The reed switch(es) are located inside the enclosure, on the top of the pressure housing (standard port), and are connected to a 7 position terminal strip. An opening is provided at the rear of the enclosure for a 1/2" flexible weather-proof cable or conduit connector (supplied by customer) (A & B Electrical Configuration) or a 1/2" FNPT conduit interface (E & F Electrical Configuration). Upon request the hole may be sized to accommodate a PG-11 cable gland connector.

To access the terminal strip remove the switch enclosure cover by removing the (4) screws. Insert wires through an appropriate (not supplied) weatherproof connector into the enclosure and connect to the terminal strip per the terminal strip diagram shown below or on the underside of the switch enclosure cover. The center connection is for connection of a protective conductor and is connected to the body of the pressure gauge.

The terminal strip will accept wires in the range of 22 Awg - 16 Awg.. Reinstall the cover, gasket, and (4) screws. (Fig. 3) after connection of field wiring.

Wiring for the SPST switches is connected between NO and CM connections on the terminal strip. Normally closed switches are generally not available. Pre-set switches will have their set points identified on the label.



## Electrical Configurations A, B, E, F



Electrical configurations A, B, E, & F can be used in Pollution degree 3 Industrial type areas. These configurations are rated NEMA 4X IP 65.

The enclosure for Configuration A & B is a molded plastic, whereas the enclosure for configuration's E & F are made from Aluminum.

**Note:** Configuration A, & B, has an electrical access hole (.875). Configurations E & F has a 1/2" FNPT conduit interface. The safety evaluation and the NEMA ratings for these configurations was performed with this access sealed.

A reverse port gauge has the switch housing located on the bottom of the gauge body

## Electrical Configurations E & F:



The E & F Electrical Configuration are 3<sup>RD</sup> party certified for Class I, Division II, Groups A, B, C, & D, Class II, Groups F & G hazardous environments. The CSA mark identifies the product has been tested to the applicable US standards and Canadian standards.



**Warning!** Please note the pressure ratings on the Hazardous Locations Tag. Max working pressures are reduced for Hazardous Locations to 1375 PSID for all materials

Ind. Cont. Eq. Mid-West  
 AP Switch Model# Instrument

**142AA-10-O(EA)**

Working Pressure: 1375  
 Ratings (Resistive) For Use In

3W MAX  
 0.25 A MAX  
 120 VAC/VDC MAX

Hazardous Locations:  
 Class I, Div. 2, Groups A,B,C,D  
 Class II, Div. 2, Groups F & G

## Electrical Configurations T or W: (Transmitter Option)





# Electrical Installation and Operating Instructions - Model 140

## Intended use:

The Model 142 Transmitter is intended for use in General Purpose Locations (T electrical configuration) or Division 2 hazardous locations (W electrical configuration). In both cases the enclosure carries a NEMA 4X IP65 environmental rating.

## Description:

The transmitter assembly if CE marked is also compliant with EMC Directive 2004/108/EC. The transmitter has a factory programmed low-pass filter. The filter is set to approximately 1 second. This can be increased or decreased upon customer request at the time of order.

**Note:** *The transmitter circuitry senses the position of a magnet. Any magnetic object located near the gauge may affect transmitter accuracy.*

The transmitter if necessary can be zeroed by jumpering pin 2 to Gnd pin 1 momentarily for 2 seconds (with the unit powered). In most cases this will never be necessary as the transmitter is programmed to generate a 4ma output for the first 4% of the FSR .



**Warning:** *If zeroing in the Hazardous Location environment use a switch approved for that location.*




**Caution:** *Do not zero the transmitter with pressure applied. Otherwise your product will have a negative offset equivalent to the pressure when the zero was activated.*



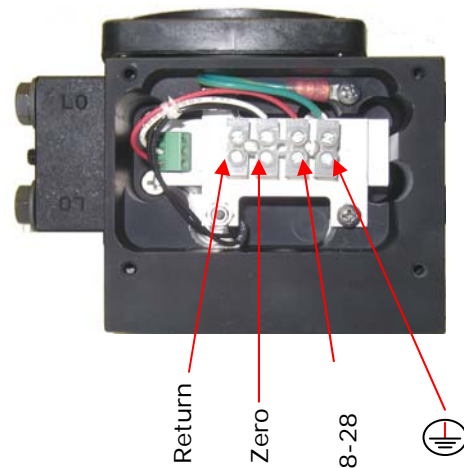
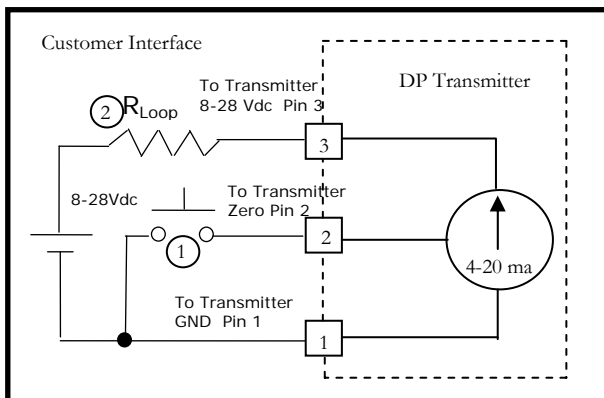
**Caution:** *Do not attempt to reposition the transmitter assembly within the enclosure. This voids the warranty and will “knock” the unit out of calibration. Disassembly and re-assembly of any internal process parts will also require the unit to be re-calibrated. Calibration must be performed at the factory.*

## Connections:

The weather-proof enclosure comes standard with a ½” FNPT conduit interface. The internal 4 position terminal strip accepts wire sizes 22 AWG – 16 AWG.

To access the 4 position terminal strip, remove the 4 cover screws from the enclosure. Connect loop power between the connections labeled 8-28 Vdc and Return (see Figure below). Connect the protective conductor wire to the terminal identified with the  symbol. See the Interface schematic below. Please note that the loop power sensing device can also be located in the ground leg.

Interface Schematic



- ① Optional remote zero (customer supplied)
- ② Loop Resistor can be located in the ground leg

# Electrical Installation and Operating Instructions - Model 140



**Warning:** *When wiring to the terminal strip, make sure all wire strands are contained within the terminal connection.*

The maximum loop resistance is 1000 ohms (@ 28Vdc Input). Use the following formula to determine the maximum loop resistance at other input voltages:  $((V_s - 8) * 1000) / 20$

## Electrical Configuration W: (Transmitter)

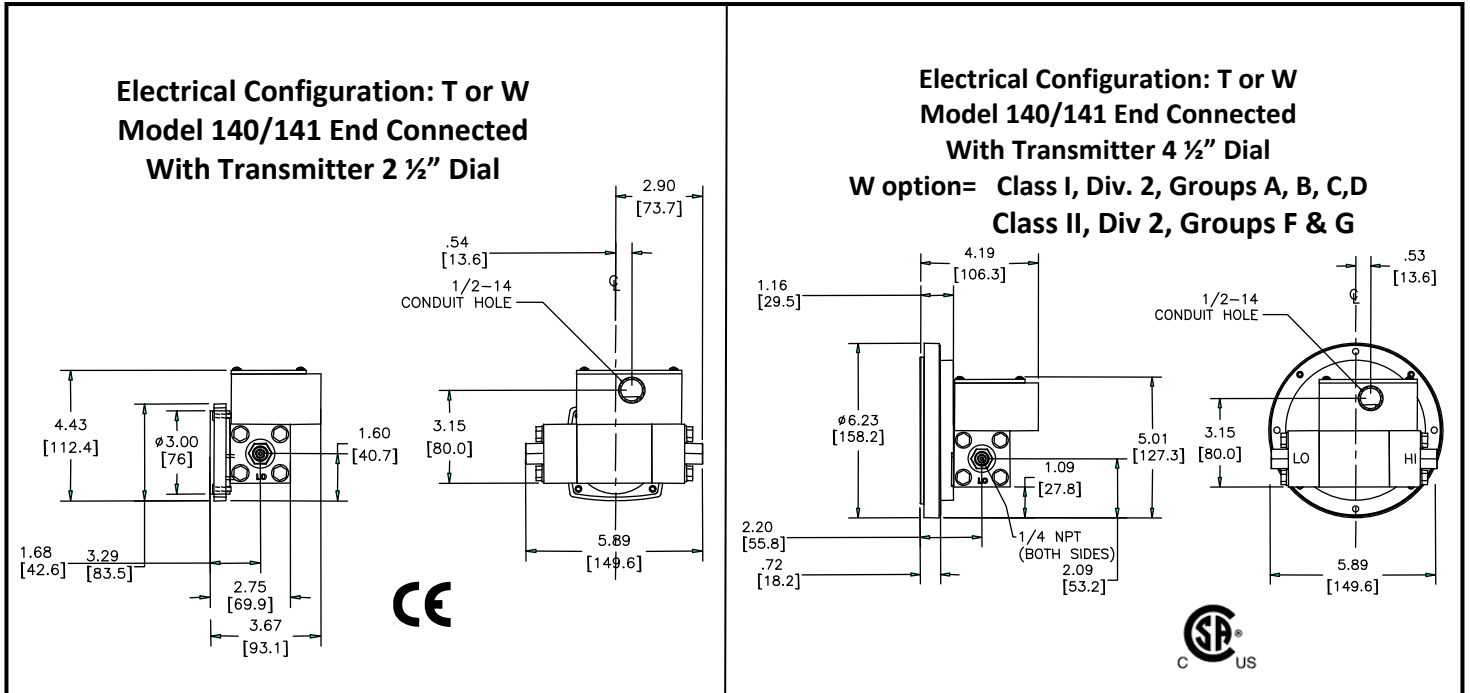
The **W** Electrical Configuration is 3<sup>RD</sup> party certified for **Class I, Division II, Groups A, B, C, & D, Class II, Groups F & G** hazardous environments. The CSA mark identifies the product has been tested to the applicable **US standards** and **Canadian standards**.



**Warning:** *Please note the pressure ratings on the Hazardous Locations Tag. Max working pressures are reduced for Hazardous Locations to 1375 PSID for all materials*

Ind. Cont. Eq. AP Switch Model#	<b>Mid-West</b> Instrument
<b>142AA-10-O(WT)</b>	
Working Pressure: 1375	For Use In <b>Hazardous Locations:</b> Class I, Div. 2, Groups A,B,C,D Class II, Div. 2, Groups F & G
Ratings (Resistive)	
Transmitter 4-20 mA output 8-28 Vdc Input	

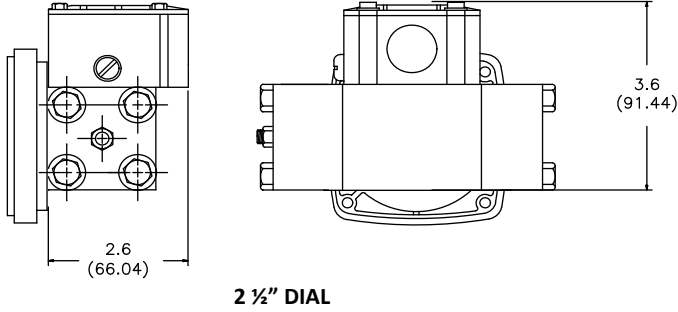
## 6.0 Dimensions



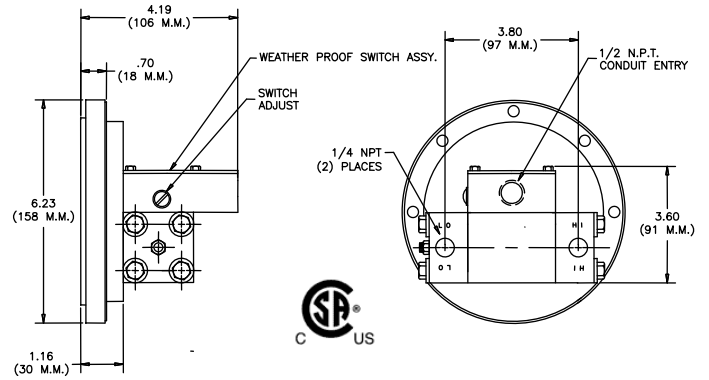
# Electrical Installation and Operating Instructions - Model 140

## 6.0 Dimensions (cont.)

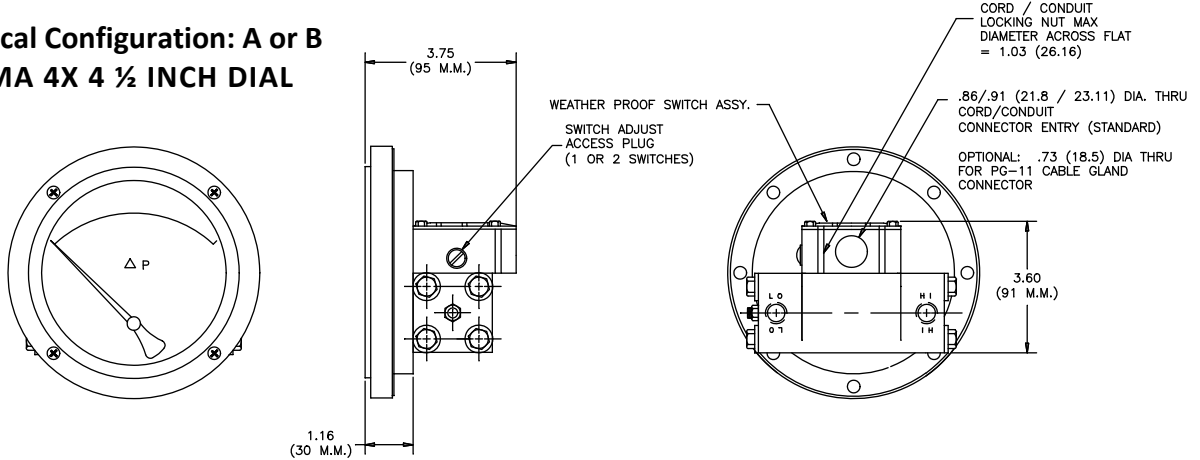
### Electrical Configuration: A or B NEMA 4X 2 1/2 INCH DIAL



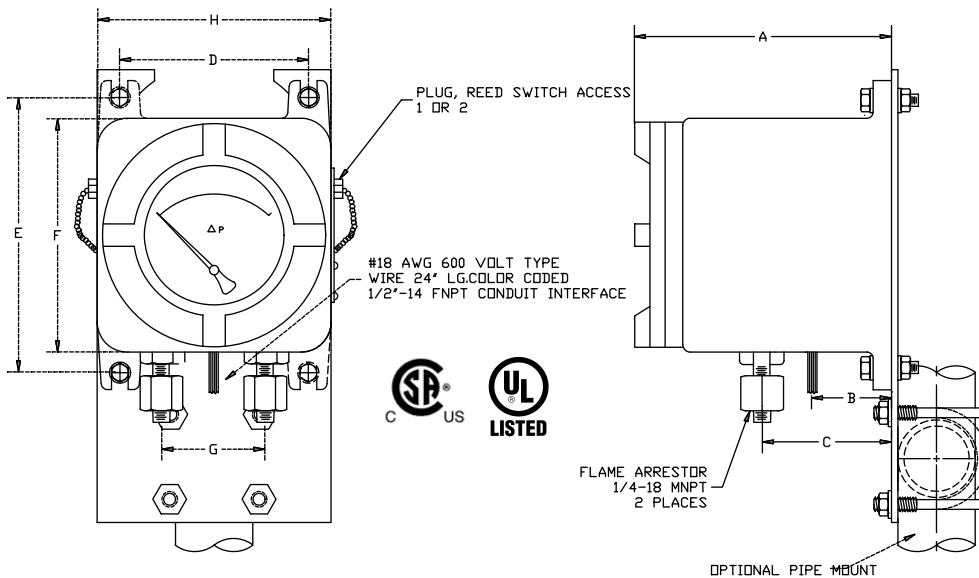
### Electrical Configuration: E or F NEMA 4X METAL ENCLOSURE CLASS I, DIV. 2, GROUPS A, B, C, D CLASS II, DIV 2, GROUPS F & G



### Electrical Configuration: A or B NEMA 4X 4 1/2 INCH DIAL



### Electrical Configuration: C or D Explosion-proof Enclosures Class I, Groups C & D Class II, Groups E, F & G



Dial Size

DIM	2 1/2	2 1/2	4 1/2
A	7.12 (180.9)	6.53 (163.3)	8.50 (215.9)
B	4.15 (105.4)	2.12 (53.84)	2.50 (62.5)
C	3.15 (80.01)	3.12 (79.24)	4.35 (110.5)
D	6.00 (152.4)	6.56 (166.6)	6.25 (158.8)
E	8.75 (222.2)	7.75 (196.9)	9.12 (231.6)
F	7.35 (186.7)	6.68 (169.7)	7.75 (196.9)
G	3.80 (96.52)	3.80 (96.52)	3.80 (96.52)
H	8.12 (206.3)	7.43 (188.7)	7.75 (196.9)

## 7.0 Troubleshooting

### A. Gauge accuracy and set point problems:

- i. Verify your process connections are plumbed properly
- ii. Verify gauge is not in an electromagnetic / magnetic environment. i.e.; close proximity to high current power lines.
- iii. Verify the pointer has fluid movement as pressure increases. No movement may indicate a blown diaphragm.
- iv. All others contact the factory for assistance.

### B Switch doesn't function

- i. Make sure that the switch load does not exceed the specified wattage rating of the switch. (steady-state and transient). Contact factory for assistance for excessive loads, otherwise proceed to the next step.
- ii. Perform a continuity check of the switch contacts by trying to actuate the switch using an external magnet. An operational switch usually indicates a problem with the gauge. If not operational proceed to the next step.
- iii. Verify the reed switch wires are connected to the terminal strip (NEMA 4X enclosure only). Contact the factory for assistance if the switch is connected and/or request an "RGA" number.

### C. Transmitter doesn't function

- i. Make sure you have supplied power (proper voltage) to the unit.
- ii. Check that you are wiring to the correct Interface terminals.
- iii. Check the transmitter interfaces to the terminal board for loose connections.
- iv. Make sure that the loop resistance does not exceed the specified rating.
- v. Make sure you did not zero the unit with pressure applied. Try a re-zero at 0 pressure.

## 8.0 Misc:

### CE Marking Statements:

#### Low Voltage Directive

The Electrical Configurations A, B, E, F, of this product are CE marked in compliance with the Low Voltage Directive to EN-61010-1. Electrical configurations T and W fall outside the scope of the directive.

#### ATEX Directive 94/9/EC

Model 140 product has not been evaluated to the ATEX directive.

# Electrical Installation and Operating Instructions - Model 140

## Pressure Equipment Directive :

The Pressure Equipment Directive has been determined to be **non-applicable for CE marking for Group 1 applications below 200 bar or Group 2 applications below 1000 bar.** These products are manufactured in accordance with article 3, paragraph 3 of the directive, “sound engineering practice”. They fall below category I for non-hazardous gases, hazardous liquids, & non-hazardous liquids. This product also falls below category I for hazardous gases at or below 200 bar.

## EMC Directive(2004/108/EC):

Optionally, transmitters (Electrical Configurations T & W) may be CE marked for compliance with the EMC Directive 2004/108/EC. The transmitter design has been evaluated to and passed the following “EN” Standards as they relate to the EMC directive.

EN 61326:2013	Environment Industrial, Electrical Equipment for measurement, Control and Laboratory use,  EMC requirements from which:
EN55011:2009 + A1:2010	Emission, Class B
EN61000-4-2:2009	Electrostatic discharge (ESD) immunity
EN61000-4-3:2006 +A1:2008 +A2:2010	Radiated EM field immunity
ENV50204:1995	Radiated EM field immunity from digital telephones (GSM)
EN61000-4-4:2004 +A1:2010	Electrical fast transient (EFT) immunity
EN61000-4-5:2006	Surge transient immunity
EN61000-4-6:2009	RF conducted immunity
EN61000-4-8:2010	Power Frequency magnetic field immunity

For all other configurations the EMC Directive is non-applicable.

## ROHS Directive:

The electrical Configurations A, B, E, F of this product are CE marked in compliance with the RoHs directive 2011/65/EU (RoHs2). Electrical Configurations T & W will be CE marked for compliance with RoHS2 when the product is marked for compliance with the EMC Directive.

**Warning:** *The suitability of the application and installation of this differential pressure switch / transmitter is the responsibility of the end user. The applicable certifications, listings apply to the differential pressure switch / transmitter only.*

**STANDARDS:** All Model 142 Series differential pressure gauges either conform to and/or are designed to the requirements of the following standards:

ASME B1.20.1	NACE MR0175
ASME B40.1	NEMA Std. 250
EN-61010-1	UL Std. No. 50, 508, & 1604
	CSA-C22.2 No. 14, 25,, & 213