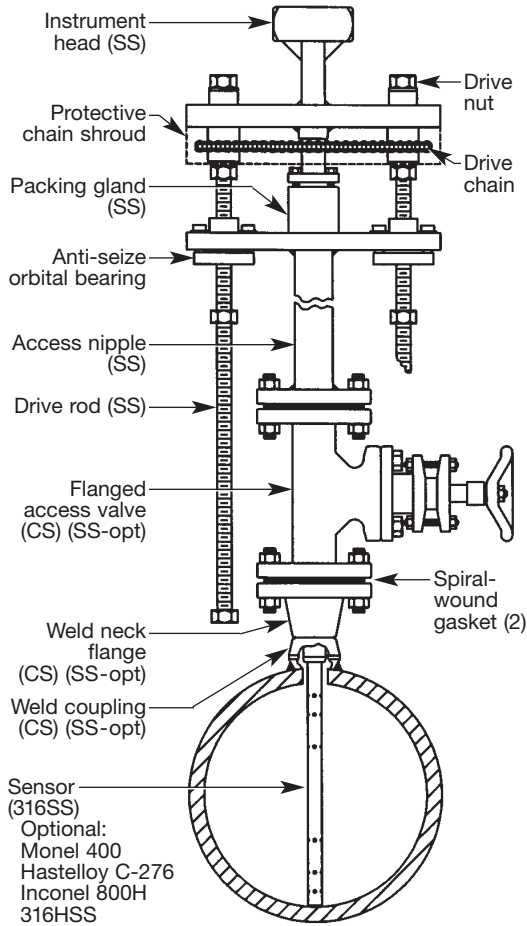


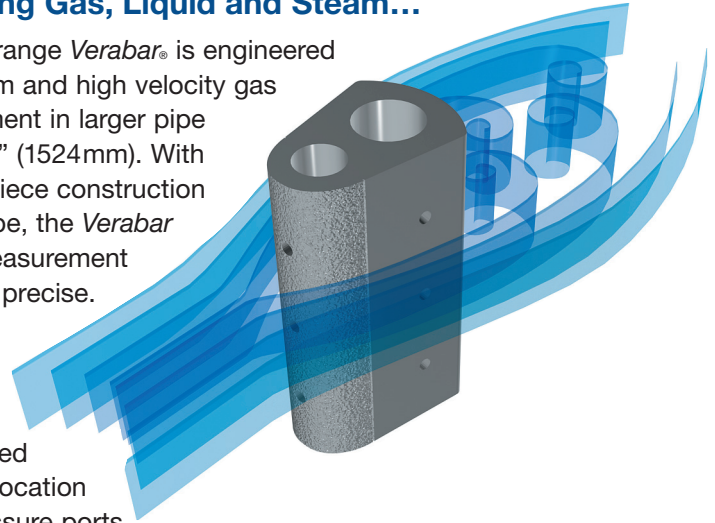
**V400D Synchro-Drive
(Standard)**



**The Most Accurate and Reliable Technology
for Measuring Gas, Liquid and Steam...**

The extended range Verabar® is engineered for liquid, steam and high velocity gas flow measurement in larger pipe sizes, up to 60" (1524mm). With its solid, one-piece construction and bullet shape, the Verabar makes flow measurement leak proof and precise.

The unique sensor shape reduces drag and flow induced vibration. The location of the low-pressure ports eliminates the potential for clogging and improves signal stability.



Model Specs	V400D
Pipe Connection	Flanged
Sensor Code	20
Sensor Diameter	2" (51mm)
Accuracy	±1% of flow rate; ±0.5% if calibrated
ANSI Class*	150#, 300#, 600#
Drive Rods	2
Pipe Size	12"-60" (300mm-1524mm)
Instrument Connection	1/2" NPT
Components Furnished	Weld coupling, weld neck flange, gaskets, studs & nuts
Flange Size	3"

Temperature Pressure Limits (ANSI Class)*
150#
275 psig @ 100°F (19 Bars @ 38°C)
80 psig @ 800°F (5.5 Bars @ 426°C)
300#
720 psig @ 100°F (49.6 Bars @ 38°C)
410 psig @ 800°F (28.3 Bars @ 426°C)
600#
1440 psig @ 100°F (99.3 Bars @ 38°C)
825 psig @ 800°F (56.9 Bars @ 426°C)

Synchro-Drive Description

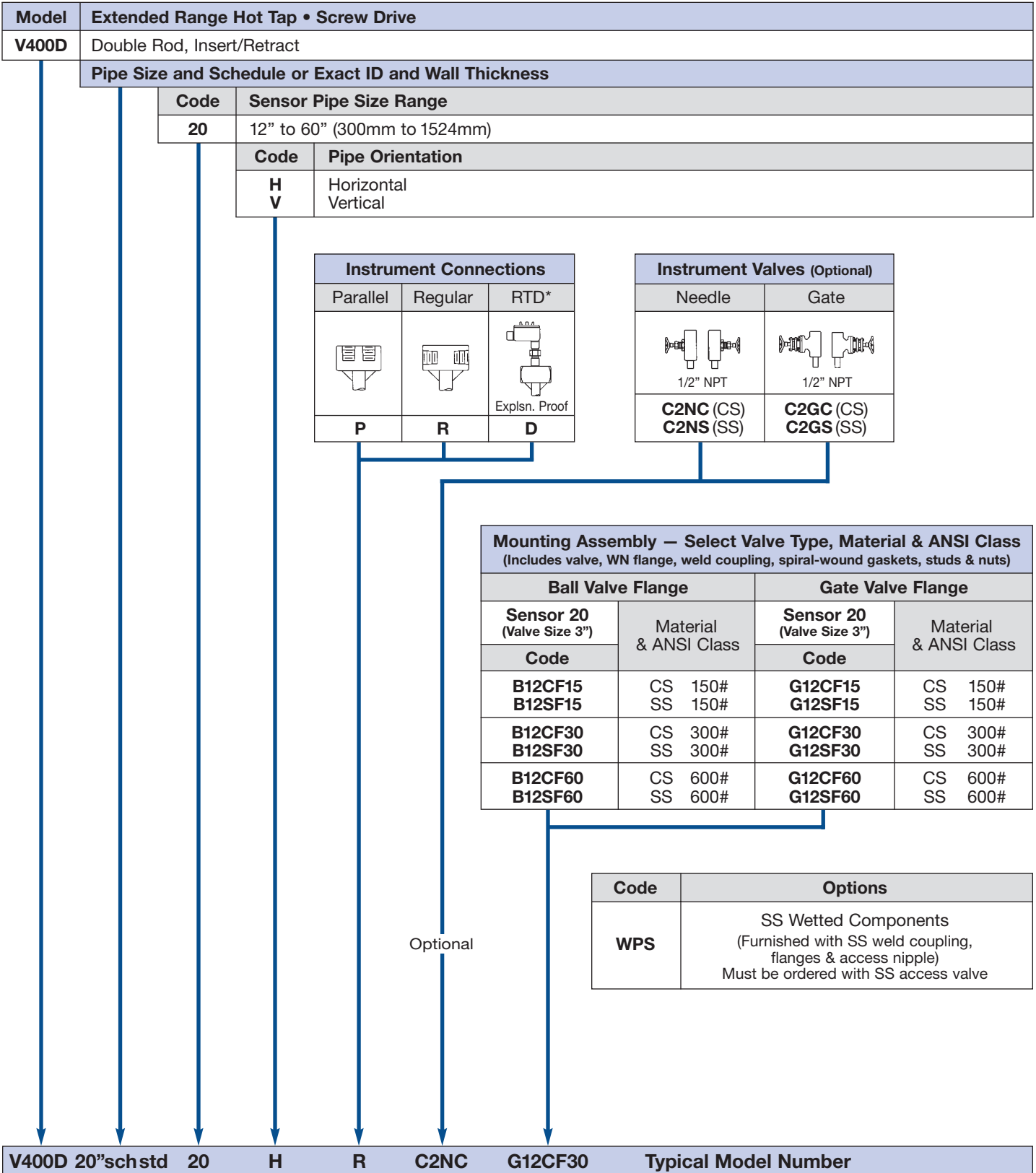
Synchro-Drive is standard on all -20 sensors. Two drive rods are coupled together by a protected chain drive system. Turning either drive nut simultaneously rotates both rods.

Synchro-Drive Benefits

- 95% faster and easier insertion and retraction
- Equal load distribution over both rods maintains sensor alignment and eliminates binding

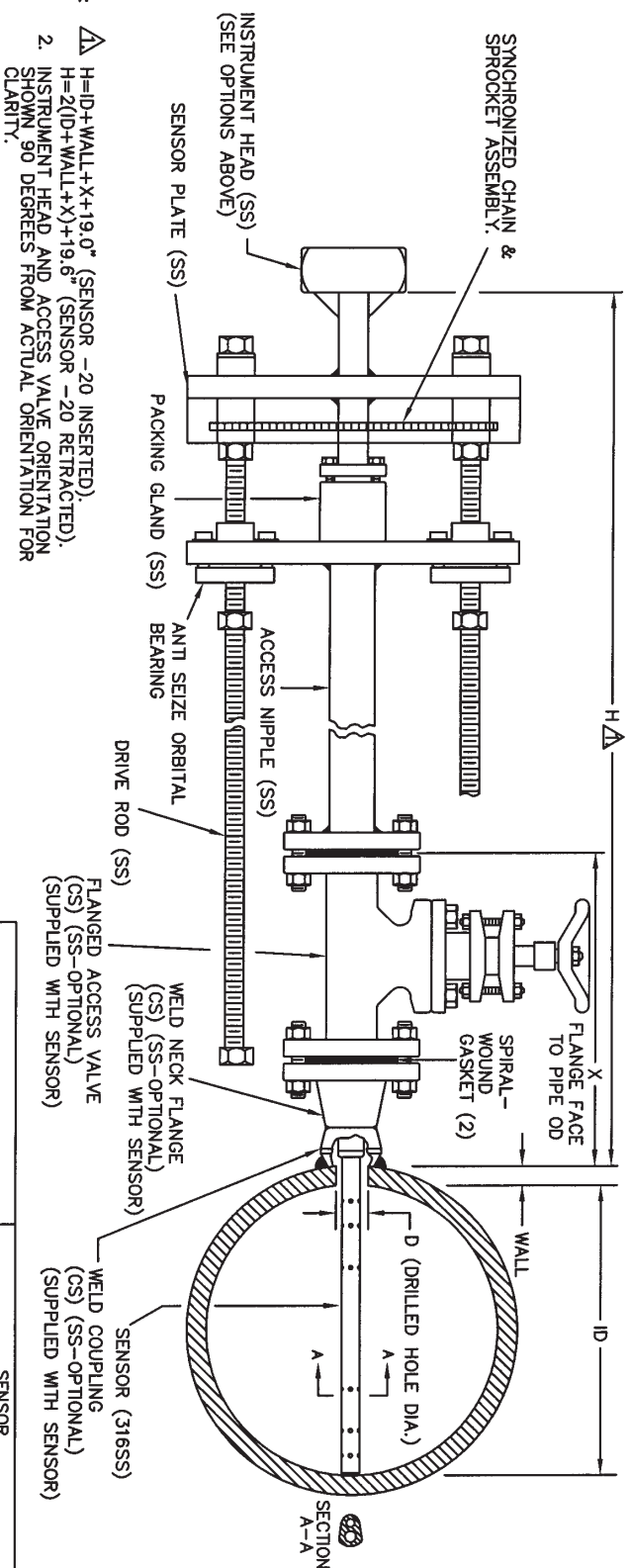
* DIS and JIS flanges available. Consult factory.

Ordering Information



* For high pressure (>500psig) or high temperature (>500°F), remote mount RTD in a thermowell is preferred.

CODE	PARALLEL	REGULAR	RTD	VALVE S	NEEDLE	GATE
RE MOUNT E						
P	1/2" NPT	1/2" NPT	X PROOF	1/2" NPT	1/2" NPT	
R						
D						
C2NC (CS)						
C2GS (SS)						
C2GC (CS)						
C2GS (SS)						



NOTES: Δ H=ID+WALL+X+19.0" (SENSOR -20 INSERTED).
H=2(ID+WALL+X)+19.6" (SENSOR -20 RETRACTED).
2. INSTRUMENT HEAD AND ACCESS VALVE ORIENTATION SHOWN 90 DEGREES FROM ACTUAL ORIENTATION FOR CLARITY.

CUSTOMER: _____
PROJECT: _____
ORDER NO: _____
TAG NO: _____
PIPE SIZE & SCHEDULE: _____
CATALOG NO: _____
SERIAL NO: _____
CERTIFIED BY: _____ DATE: _____

ITEM	DESCRIPTION	SENSOR
SENSOR DIA.	2" (51mm)	-20
FLANGE SIZE	3"	
DIM 'D' DRILLED HOLE DIAMETER	2-1/8" (54mm)	
DIM 'X' ANSI CLASS 150#	12.63" (320mm)	
DIM 'X' ANSI CLASS 300#	16.13" (410mm)	
DIM 'X' ANSI CLASS 600#	19.36" (492mm)	

* 'H' & 'X' DIMENSIONS ARE APPROXIMATE (FOR SIZING PURPOSES ONLY).

VERABAR MODEL: V400 DOUBLE
ROD FLANGED SYNCHRO

DATE 7/10/03	DWG NO. SUB-5104
SCALE NTS	REV A PAGE 1 OF 1

