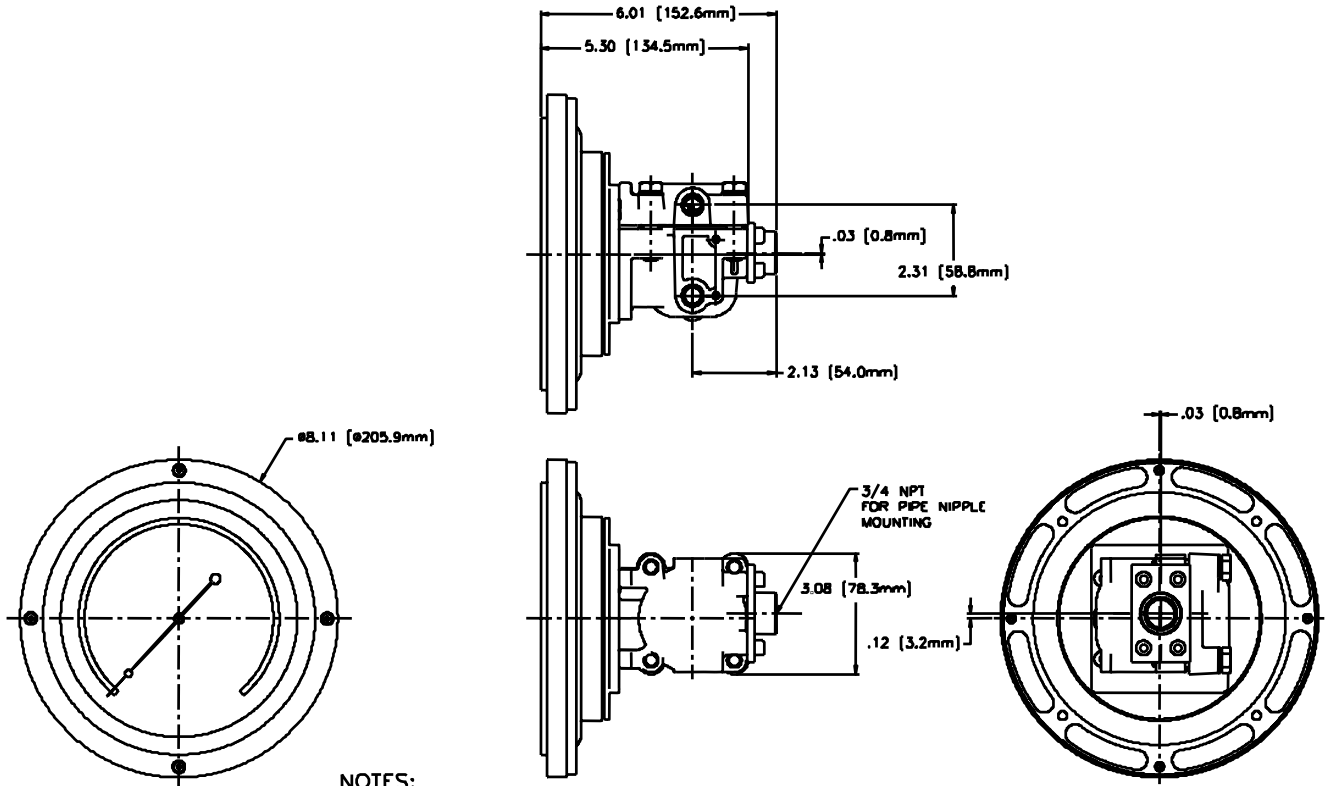


Model 116 Stub Mounting



NOTES:

1. DIMENSIONS SHOWN IN PARENTHESIS ARE IN MILLIMETERS.
2. MANUFACTURER RESERVES THE RIGHT TO CHANGE THE SPECIFICATIONS WITHOUT PRIOR NOTICE.
3. PIPE MOUNTING BRACKET OR WALL MOUNTING BRACKET OPTIONAL.
4. ALL DIMENSIONS ARE APPROXIMATE AND NOMINAL.
(NOT TO SCALE)