

Mid-West[®] Instrument

3 & 5 Valve Differential Pressure Manifolds



#107470
3-Valve Manifold



#113343
3-Valve Mini- Manifold



#107469
5-Valve Manifold

3 & 5 valve manifolds are designed for applications where direct mounting to an instrument is impractical or undesirable. The manifold is mounted to the lines from the instrument and signal rather than directly to instrument. Bubble tight shut-off, lightweight, super strong construction, compact designs that require less parts, chrome plated stems that prevent galling and stripping- these valves are built to perform under pressure. That's why in some of the most rigid tests, manifolds provided by Mid-West Instrument consistently meet or exceed industry standards.

- **Pressure rating:** 6000 PSIG (414 bar) @ 240°F (115°C)
- **Instrument Connections:** Std. 3 & 5 Valve = ½" FNPT / 3-Valve Mini-Manifold:= ¼" FNPT
- **Process Connections:** Std. 3 & 5 Valve = ½" FNPT / 3-Valve Mini-Manifold:= ¼" FNPT
- **Dust cap:** Protects spindle threads from dirt & dust.
- **Gland Nut & Lock Nut:** Adjusts the packing compression to provide leak free operation even on vacuum service.
- **Gland Packing:** PTFE packing and metal seal ring ensures leak free operation.
- **Bonnet:** Precisely machined bonnet adds a high level of reliability at maximum pressure & temperature while increasing valve life and protecting stem threads from atmospheric corrosion.
- **Isolated Stem threads:** Adjustable packing below stem ensures leak proof long service life
- **Less Parts:** Less leak points and less fugitive emissions.
- **Test Ports:** ¼" FNPT ports which may be used as test connections (#107470 & #107469) (#113343 Mini-manifold does not have test ports)

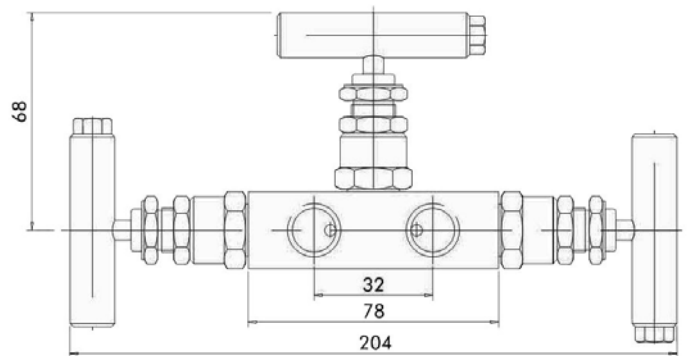
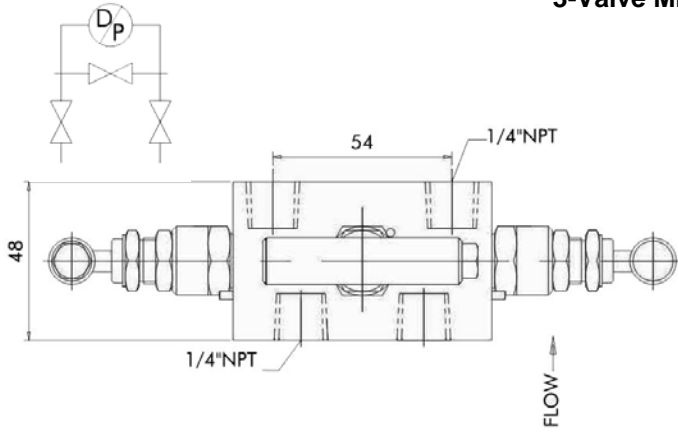
Teflon Packing, Integral (Body Material) Seat, and Stainless Steel Body

Model Number	Description
113343	3-Valve 316 S.S. Single Block Mini-Manifold (1/4" FNPT Connections)
107470	3-Valve 316 S.S. Single Block Manifold (1/2" FNPT Connections)
107469	5-Valve 316 S.S. Single Block Manifold (1/2" FNPT Connections)

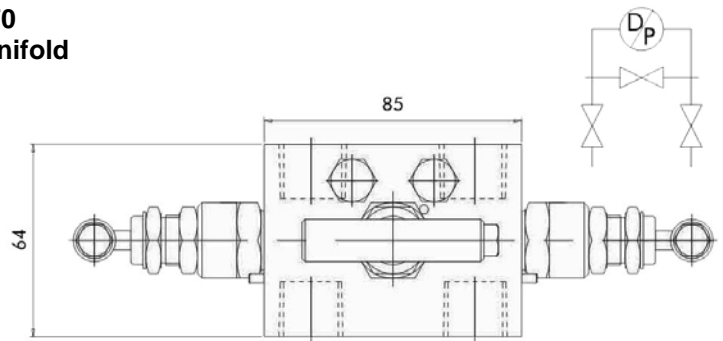
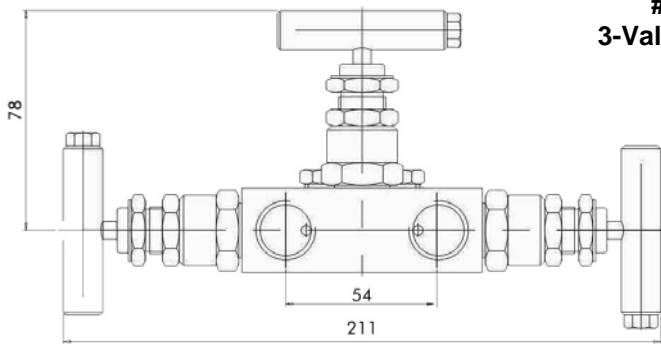
"Mid-West Instrument can supply many other manifolds that meet your specifications"

Manifold Dimensional Information

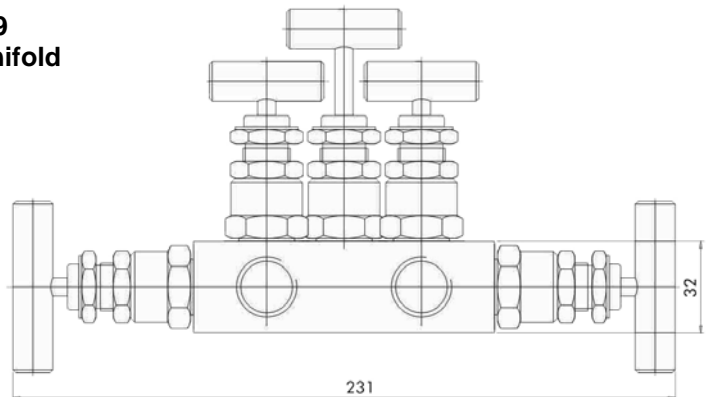
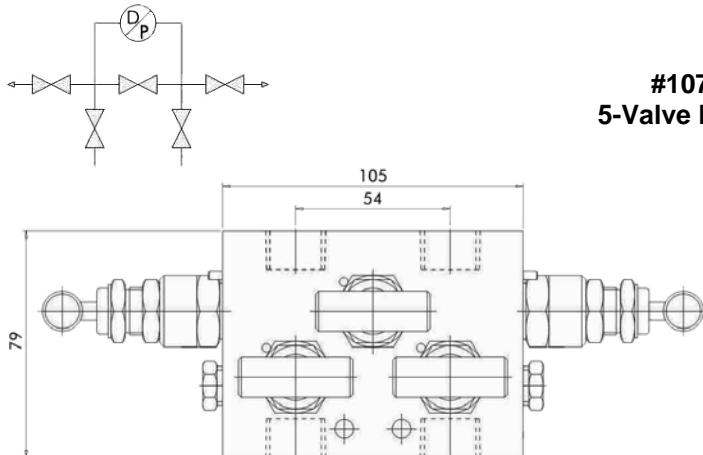
#113343
3-Valve Mini- Manifold



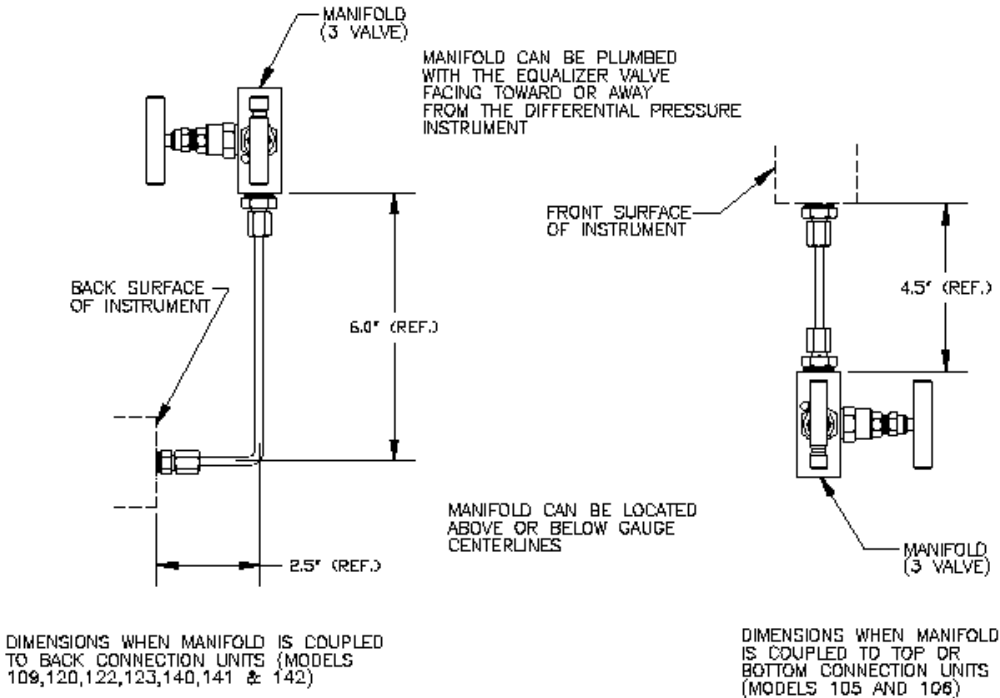
#107470
3-Valve Manifold



#107469
5-Valve Manifold



Typical Manifold Installations



OTHER DIMENSIONS MAY BE AVAILABLE. CONSULT THE FACTORY.

Mid-West Instrument offers multi valve isolation manifolds that protect our differential pressure gauges, switches and transmitters. This allows the user to install a complete assembly saving installation time and transactional cost. Assembles can be custom designed to fit each specific application.

Examples of Typical Manifold Installations

